

SiGa CX-100

COM Express™ industrial module

Features:

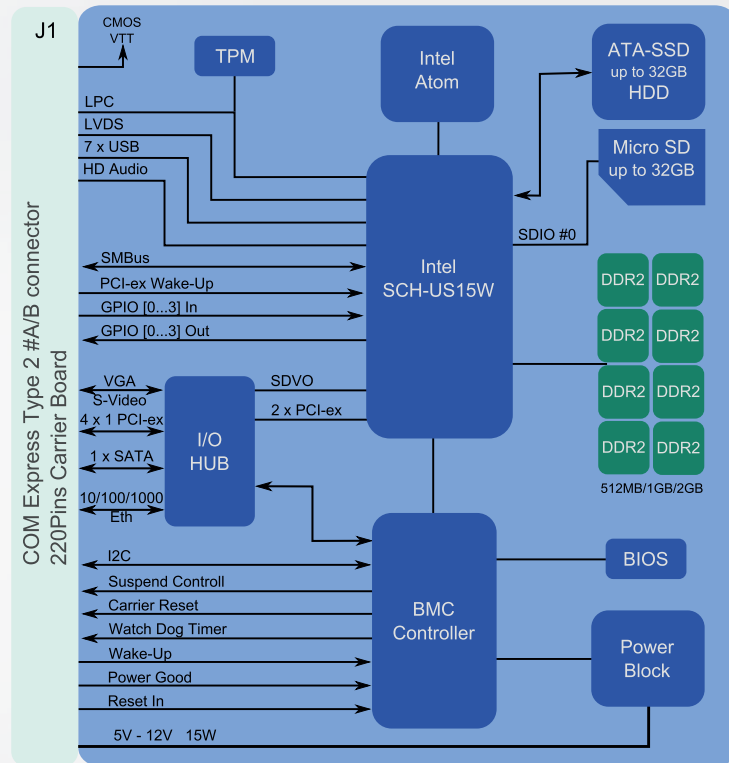
- Intel® Atom™ Processor
- SSD on-board
- COM Express™ widely adopted standard
- low heat emission
- ecofriendly - high performance and low power consumption
- quick time to market and flexible modular design
- fast boot

Description:

SiGa CX-100 module is a high-end design of a PC module based on the Intel® Atom™ processor. Intel® Atom™ processor and chipset Intel® SCH US15W ensure high performance and low power consumption. The Intel® Atom™ processor Z5xx series has been designed to deliver fast performance in the sub 3 Watt envelope and consume drastically lower idle average power. SiGa CX-100 connector pinout is based on the Type 2 pinout according to PICMG COM Express™ specification. Module can be built in two temperature version - commercial (0 to +70°C) or industrial (-40 to +85°C). Intel® System Controller Hub (SCH) combines the traditional north and south bridges into a single chip solution and gives enhanced performance on floating point intensive application such as CAD tools, 3D & 2D modelling, video editing. SiGa CX-100 is ideal for low power, high performance industrial application.

Applications

- industrial automation
- tests and measurement
- HMI devices
- monitoring and control
- ultra mobile applications
- automotive
- internet kiosk



Technical data:

- CPU**
 For commercial temperatures 0 to +70°C
- Intel® Atom™ Z510P 1.1 GHz or
 - Intel® Atom™ Z530P 1.6 GHz
- For industrial temperatures -40 to +85°C
- Intel® Atom™ Z510PT 1.1 GHz or
 - Intel® Atom™ Z520PT 1.33 GHz
- Memory**
- Up to 2 GB DDR2 memory (on-board)
- Chipset**
- Intel® System Controller Hub US15WP or US15WPT
- I/O Interfaces**
- 7 x USB 2.0 including 1 client USB, 1 x ATA, 1 x SATA, 2 x SDIO, 1 x SD on board (up to 32GB), 4 x PCI-ex, 2 x I2C Bus, 1 x LPC Bus, 1 x SMBus, VGA/S-Video, 10/100/1000 Ethernet
 - PCI express non-transparent bridging allowing multi-host processor isolation designs creating multi-master and fail-over configuration
- Hard Disk**
- On-board ATA Solid State Drive up to 32 GByte (optional)
- Sound**
- Intel® High Definition Audio (Intel® HD Audio)
- Graphic Interface**
- Intel® Graphics Media Accelerator 500 (Intel® GMA 500), up to 256 MByte frame buffer supporting Direct X 9.0E and Open GL 2.0
- Video Decode Acceleration**
- Full hardware acceleration for MPEG2, MPEG4, H.264, WMV9 and VC1
- Display Interfaces**
- Single channel LVDS transmitter
 - Dual independent display support (LVDS, SDVO)
- Board Management Controller**
- Multi Stage Watchdog, non-volatile User Data Storage, Manufacturing and Board information, Board Statistics and Open GL 2.0
- Embedded BIOS**
- Custom BIOS system developed by SiGarden with fast boot time
- Security**
- Trusted Platform Module v1.2
- Power Management**
- ACPI 3.0 compliant
- Operating Systems**
- Windows® XP, Windows® XP embedded, LINUX
- Power Supply**
- 5-12V
- Power Consumption**
- Typical application 10 W
- Temperature Range**
- 0 to +70°C commercial
 - 40 to +85°C industrial
- Size**
- 95 x 125 mm
 - Basic form-factor (connector rows A&B)
- Compliance**
- COM Express™ Type 1

About us

SiGarden creates innovative projects on its own and delivers advanced design services and full custom designs in the areas of: consumer electronics, telecom, automation, infotainment, health care, mission critical applications.

www.sigarden.com

SiGarden Sp. z o.o.
 ul. Trzy Lipy 3, lok. 2.45
 80-172 Gdańsk, Poland
info@sigarden.com
 tel. +48 58 739 64 88
 fax: +48 58 739 64 92